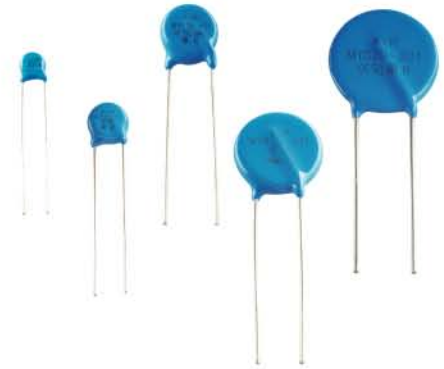


## Products Description

MYG varistors are designed for electronic circuit, which has standard electrode lead mounted with PCB. With excellent surge protection ability, it is widely used in various fields of electric technology and electronic products, such as computer, power supply, household appliance, telecommunication, network and automobile, etc.



## Construction and Features

- Construction: Round varistors element, leaded and coated;
- Coating materials: Epoxy resin, flame retardant to UL94V-0;
- Terminals: Tinned copper wire;
- Package: Bulk, Reel or Ammopack.

## Approvals:

With safety certifications of UL, VDE, CSA, CE, etc.

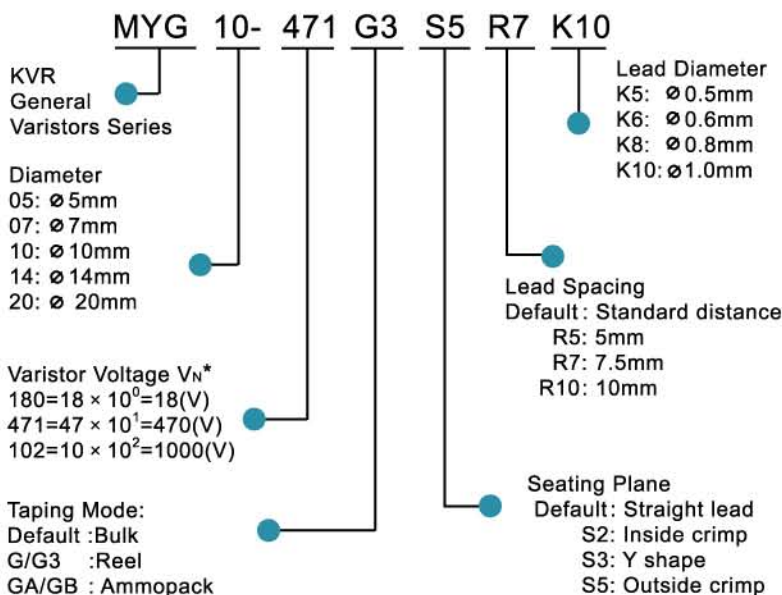
## Key Characteristic Parameters:

Max AC Operating Voltage	$V_{RMS}(V)$	11~1000
Max Energy Absorption	$W_{max}(J)$	0.3~720
Peak Current (8/20 $\mu$ s)	$I_{max}(kA)$	0.1~10
MOV Diameter	D(mm)	5~20

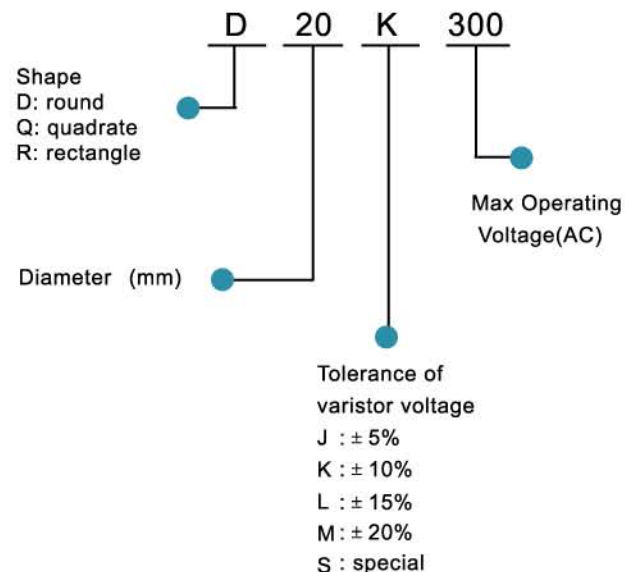
## Technical Data:

Characteristics	Parameters:	Standards
Climatic Category LCT UCT	40/85/56 -40℃ +85℃	IEC68-2-3
Operating Temperature	-40℃ ~ +85℃	CECC 42 000
Storage Temperature	-40℃ ~ +125℃	
Electric Strength	≥ 2500V(AC)	CECC 42 000
Insulation Resistance	≥ 10MΩ	CECC 42 000
Response Time	<25 ns	

## Type Designation:



## Material Code Designation:



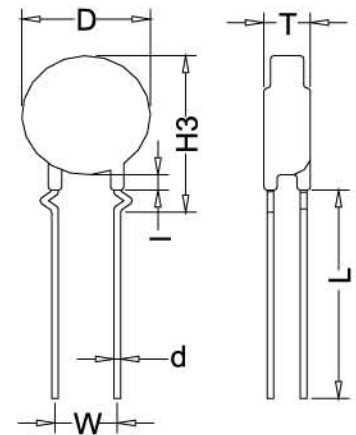
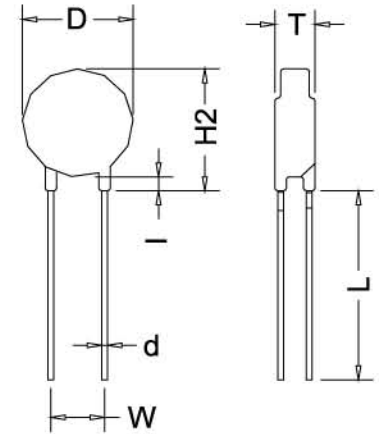
$V_N^*$  means  $\varnothing$  5mm are tested by constant current of 0.1mA.  
 $\varnothing$  7~20mm are tested by constant current of 1.0mA.

Type	Material code	Characteristics TA = +25 °C					Maximum ratings T =+85 C					V/I Characteristic curve	Derating Curve
		Varistor voltage	Tolerance	Clamping voltage at Ip (8/20µs)		Capacitance (1kHz)	Max continuous operating voltage		Max energy absorption (2ms)	Peak current (8/20µs)	Max power rating		
				VN* (V)	ΔVN (±%)		Vp (V)	Ip (A)				C (pF)	VRMS (V)
MYG05-180	D05K11	18	10	40	1.0	1600	11	14	0.3	125	0.01	18	23
MYG07-180	D07K11	18	10	36	2.0	3800	11	14	0.8	250	0.02	19	23
MYG10-180	D10K11	18	10	36	5.0	16000	11	14	1.7	500	0.05	20	24
MYG14-180	D14K11	18	10	36	10.0	25000	11	14	3.2	1000	0.10	21	24
MYG20-180	D20K11	18	10	36	20.0	40000	11	14	10.0	2000	0.20	22	25
MYG05-220	D05K14	22	10	48	1.0	1500	14	18	0.4	125	0.01	18	23
MYG07-220	D07K14	22	10	43	2.0	3600	14	18	0.9	250	0.02	19	23
MYG10-220	D10K14	22	10	43	5.0	11000	14	18	2.0	500	0.05	20	24
MYG14-220	D14K14	22	10	43	10.0	20000	14	18	4.0	1000	0.10	21	24
MYG20-220	D20K14	22	10	43	20.0	30000	14	18	12.0	2000	0.20	22	25
MYG05-270	D05K17	27	10	60	1.0	1450	17	22	0.5	125	0.01	18	23
MYG07-270	D07K17	27	10	53	2.0	3400	17	22	1.1	250	0.02	19	23
MYG10-270	D10K17	27	10	53	5.0	8000	17	22	2.5	500	0.05	20	24
MYG14-270	D14K17	27	10	53	10.0	16000	17	22	5.0	1000	0.10	21	24
MYG20-270	D20K17	27	10	53	20.0	24500	17	22	14.0	2000	0.20	22	25
MYG05-330	D05K20	33	10	73	1.0	1400	20	26	0.6	125	0.01	18	23
MYG07-330	D07K20	33	10	65	2.0	2900	20	26	1.3	250	0.02	19	23
MYG10-330	D10K20	33	10	65	5.0	6300	20	26	3.1	500	0.05	20	24
MYG14-330	D14K20	33	10	65	10.0	12200	20	26	6.0	1000	0.10	21	24
MYG20-330	D20K20	33	10	65	20.0	20000	20	26	18.0	2000	0.20	22	25
MYG05-390	D05K25	39	10	86	1.0	700	25	31	0.7	125	0.01	18	23
MYG07-390	D07K25	39	10	77	2.0	1600	25	31	1.6	250	0.02	19	23
MYG10-390	D10K25	39	10	77	5.0	5200	25	31	3.7	500	0.05	20	24
MYG14-390	D14K25	39	10	77	10.0	7000	25	31	7.0	1000	0.10	21	24
MYG20-390	D20K25	39	10	77	20.0	13800	25	31	22.0	2000	0.20	22	25
MYG05-470	D05K30	47	10	104	1.0	650	30	38	0.9	125	0.01	18	23
MYG07-470	D07K30	47	10	93	2.0	1550	30	38	2.0	250	0.02	19	23
MYG10-470	D10K30	47	10	93	5.0	4600	30	38	4.4	500	0.05	20	24
MYG14-470	D14K30	47	10	93	10.0	6750	30	38	9.0	1000	0.10	21	24
MYG20-470	D20K30	47	10	93	20.0	13500	30	38	26.0	2000	0.20	22	25
MYG05-560	D05K35	56	10	123	1.0	600	35	45	1.1	125	0.01	18	23
MYG07-560	D07K35	56	10	110	2.0	1500	35	45	2.5	250	0.02	19	23
MYG10-560	D10K35	56	10	110	5.0	3750	35	45	5.4	500	0.05	20	24
MYG14-560	D14K35	56	10	110	10.0	6500	35	45	10.0	1000	0.10	21	24
MYG20-560	D20K35	56	10	110	20.0	12200	35	45	33.0	2000	0.20	22	25
MYG05-680	D05K40	68	10	150	1.0	580	40	56	1.3	125	0.01	18	23
MYG07-680	D07K40	68	10	135	2.0	1200	40	56	3.0	250	0.02	19	23
MYG10-680	D10K40	68	10	135	5.0	2800	40	56	6.4	500	0.05	20	24
MYG14-680	D14K40	68	10	135	10.0	5500	40	56	13.0	1000	0.10	21	24
MYG20-680	D20K40	68	10	135	20.0	11500	40	56	37.0	2000	0.20	22	25
MYG05-820	D05K50	82	10	145	5.0	310	50	65	2.5	800	0.10	18	25
MYG07-820	D07K50	82	10	135	10.0	860	50	65	5.0	1750	0.25	19	26
MYG10-820	D10K50	82	10	135	25.0	1920	50	65	10.0	3500	0.40	20	26
MYG14-820	D14K50	82	10	135	50.0	4300	50	65	20.0	6000	0.60	21	27
MYG20-820	D20K50	82	10	135	100.0	8200	50	65	40.0	10000	1.00	22	27
MYG05-101	D05K60	100	10	175	5.0	290	60	81	3.0	800	0.10	18	25
MYG07-101	D07K60	100	10	165	10.0	750	60	81	6.0	1750	0.25	19	26

VN\* means ∅ 5mm are tested by constant current of 0.1mA  
 ∅ 7~20mm are tested by constant current of 1.0mA



Type	Dimensions								Certification			
	D <sub>max</sub> (mm)	H <sub>2max</sub> (mm)	H <sub>3max</sub> (mm)	T <sub>max</sub> (mm)	W $\pm$ 1.0 (mm)	L <sub>min</sub> (mm)	I <sub>max</sub> (mm)	d $\pm$ 0.05 (mm)	CE	RU	VDE	SP
MYG05-180	7.5	10.5	13.5	4.4	5.0	25.0	3.0	0.6	★	○		
MYG07-180	9.0	12.0	13.5	4.4	5.0	25.0	3.0	0.6	★	○		
MYG10-180	14.0	16.0	17.5	4.8	7.5	25.0	3.0	0.8	★	○	★	
MYG14-180	17.5	20.0	25.0	4.8	7.5	25.0	3.0	0.8	★	○	★	
MYG20-180	25.0	25.0	29.0	5.2	10.0	25.0	3.0	1.0	★	○		
MYG05-220	7.5	10.5	13.5	4.5	5.0	25.0	3.0	0.6	★	○		
MYG07-220	9.0	12.0	13.5	4.5	5.0	25.0	3.0	0.6	★	○		
MYG10-220	14.0	16.0	17.5	4.9	7.5	25.0	3.0	0.8	★	○	★	
MYG14-220	17.5	20.0	25.0	4.9	7.5	25.0	3.0	0.8	★	○	★	
MYG20-220	25.0	25.0	29.0	5.3	10.0	25.0	3.0	1.0	★	○		
MYG05-270	7.5	10.5	13.5	4.6	5.0	25.0	3.0	0.6	★	○		
MYG07-270	9.0	12.0	13.5	4.6	5.0	25.0	3.0	0.6	★	○		
MYG10-270	14.0	16.0	17.5	5.0	7.5	25.0	3.0	0.8	★	○	★	
MYG14-270	17.5	20.0	25.0	5.0	7.5	25.0	3.0	0.8	★	○	★	
MYG20-270	25.0	25.0	29.0	5.4	10.0	25.0	3.0	1.0	★	○		
MYG05-330	7.5	10.5	13.5	4.8	5.0	25.0	3.0	0.6	★	○		
MYG07-330	9.0	12.0	13.5	4.8	5.0	25.0	3.0	0.6	★	○		
MYG10-330	14.0	16.0	17.5	5.2	7.5	25.0	3.0	0.8	★	○	★	
MYG14-330	17.5	20.0	25.0	5.2	7.5	25.0	3.0	0.8	★	○	★	
MYG20-330	25.0	25.0	29.0	5.6	10.0	25.0	3.0	1.0	★	○		
MYG05-390	7.5	10.5	13.5	5.0	5.0	25.0	3.0	0.6	★	○		
MYG07-390	9.0	12.0	13.5	5.0	5.0	25.0	3.0	0.6	★	○		
MYG10-390	14.0	16.0	17.5	5.4	7.5	25.0	3.0	0.8	★	○	★	
MYG14-390	17.5	20.0	25.0	5.4	7.5	25.0	3.0	0.8	★	○	★	
MYG20-390	25.0	25.0	29.0	5.8	10.0	25.0	3.0	1.0	★	○		
MYG05-470	7.5	10.5	13.5	5.2	5.0	25.0	3.0	0.6	★	○		
MYG07-470	9.0	12.0	13.5	5.2	5.0	25.0	3.0	0.6	★	○		
MYG10-470	14.0	16.0	17.5	5.6	7.5	25.0	3.0	0.8	★	○	★	
MYG14-470	17.5	20.0	25.0	5.6	7.5	25.0	3.0	0.8	★	○	★	
MYG20-470	25.0	25.0	29.0	6.0	10.0	25.0	3.0	1.0	★	○		
MYG05-560	7.5	10.5	13.5	5.4	5.0	25.0	3.0	0.6	★	○		
MYG07-560	9.0	12.0	13.5	5.4	5.0	25.0	3.0	0.6	★	○		
MYG10-560	14.0	16.0	17.5	5.8	7.5	25.0	3.0	0.8	★	○	★	
MYG14-560	17.5	20.0	25.0	5.8	7.5	25.0	3.0	0.8	★	○	★	
MYG20-560	25.0	25.0	29.0	6.2	10.0	25.0	3.0	1.0	★	○		
MYG05-680	7.5	10.5	13.5	5.7	5.0	25.0	3.0	0.6	★	○		
MYG07-680	9.0	12.0	13.5	5.7	5.0	25.0	3.0	0.6	★	○		
MYG10-680	14.0	16.0	17.5	6.1	7.5	25.0	3.0	0.8	★	○	★	
MYG14-680	17.5	20.0	25.0	6.1	7.5	25.0	3.0	0.8	★	○	★	
MYG20-680	25.0	25.0	29.0	6.5	10.0	25.0	3.0	1.0	★	○		
MYG05-820	7.5	10.5	13.5	4.0	5.0	25.0	3.0	0.6	★	★		★
MYG07-820	9.0	12.0	13.5	4.0	5.0	25.0	3.0	0.6	★	★		★
MYG10-820	14.0	16.0	17.5	4.4	7.5	25.0	3.0	0.8	★	★	★	★
MYG14-820	17.5	20.0	25.0	4.4	7.5	25.0	3.0	0.8	★	★	★	★
MYG20-820	25.0	25.0	29.0	4.8	10.0	25.0	3.0	1.0	★	★		★
MYG05-101	7.5	10.5	13.5	4.4	5.0	25.0	3.0	0.6	★	★		★
MYG07-101	9.0	12.0	13.5	4.4	5.0	25.0	3.0	0.6	★	★		★



★ Means it has accredited safety certification

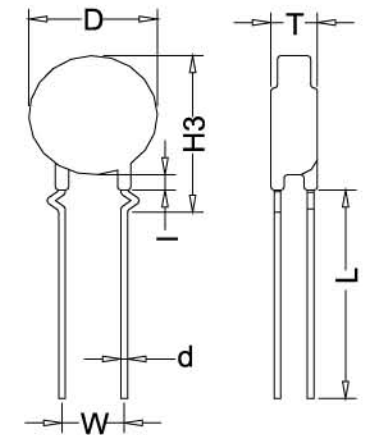
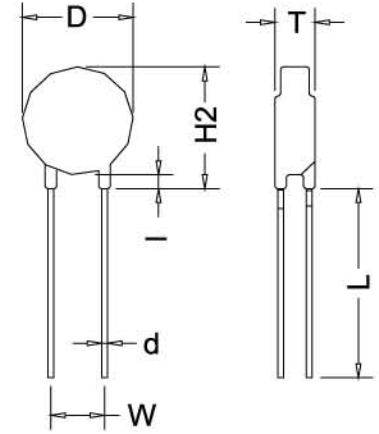
○ Means the safety certification is in process, Details please contact with our marketing department.

Type	Material code	Characteristics TA = +25 °C					Maximum ratings T =+85 C					V/I Characteristic curve	Pulse derating curve
		Varistor voltage	Tolerance	Clamping voltage at I <sub>p</sub> (8/20µs)		Capacitance (1kHz)	Max continuous operating voltage		Max energy absorption (2ms)	Peak current (8/20µs)	Max power rating		
				V <sub>N</sub> * (V)	ΔV <sub>N</sub> (±%)		V <sub>P</sub> (V)	I <sub>p</sub> (A)				C (pF)	V <sub>RMS</sub> (V)
MYG10-101	D10K60	100	10	165	25.0	1800	60	81	12.0	3500	0.40	20	26
MYG14-101	D14K60	100	10	165	50.0	3500	60	81	25.0	6000	0.60	21	27
MYG20-101	D20K60	100	10	165	100.0	8000	60	81	50.0	10000	1.00	22	27
MYG05-121	D05K75	120	10	210	5.0	270	75	100	3.5	800	0.10	18	25
MYG07-121	D07K75	120	10	200	10.0	530	75	100	7.0	1750	0.25	19	26
MYG10-121	D10K75	120	10	200	25.0	1500	75	100	14.5	3500	0.40	20	26
MYG14-121	D14K75	120	10	200	50.0	2500	75	100	30.0	6000	0.60	21	27
MYG20-121	D20K75	120	10	200	100.0	5500	75	100	60.0	10000	1.00	22	27
MYG05-151	D05K95	150	10	260	5.0	240	95	125	4.5	800	0.10	18	25
MYG07-151	D07K95	150	10	250	10.0	410	95	125	9.0	1750	0.25	19	26
MYG10-151	D10K95	150	10	250	25.0	1200	95	125	18.0	3500	0.40	20	26
MYG14-151	D14K95	150	10	250	50.0	2100	95	125	37.5	6000	0.60	21	27
MYG20-151	D20K95	150	10	250	100.0	4200	95	125	75.0	10000	1.00	22	27
MYG05-181	D05K115	180	10	325	5.0	140	115	150	5.2	800	0.10	18	25
MYG07-181	D07K115	180	10	300	10.0	300	115	150	10.4	1750	0.25	19	26
MYG10-181	D10K115	180	10	300	25.0	620	115	150	21.0	3500	0.40	20	26
MYG14-181	D14K115	180	10	300	50.0	1250	115	150	42.0	6000	0.60	21	27
MYG20-181	D20K115	180	10	300	100.0	2500	115	150	84.0	10000	1.00	22	27
MYG05-201	D05K130	200	10	355	5.0	120	130	170	6.0	800	0.10	18	25
MYG07-201	D07K130	200	10	340	10.0	250	130	170	12.5	1750	0.25	19	26
MYG10-201	D10K130	200	10	340	25.0	570	130	170	25.0	3500	0.40	20	26
MYG14-201	D14K130	200	10	340	50.0	1150	130	170	50.0	6000	0.60	21	27
MYG20-201	D20K130	200	10	340	100.0	2300	130	170	100.0	10000	1.00	22	27
MYG05-221	D05K140	220	10	380	5.0	110	140	180	6.5	800	0.10	18	25
MYG07-221	D07K140	220	10	360	10.0	250	140	180	13.5	1750	0.25	19	26
MYG10-221	D10K140	220	10	360	25.0	560	140	180	27.5	3500	0.40	20	26
MYG14-221	D14K140	220	10	360	50.0	1100	140	180	55.0	6000	0.60	21	27
MYG20-221	D20K140	220	10	360	100.0	2200	140	180	110.0	10000	1.00	22	27
MYG05-241	D05K150	240	10	415	5.0	110	150	200	7.5	800	0.10	18	25
MYG07-241	D07K150	240	10	395	10.0	240	150	200	15.0	1750	0.25	19	26
MYG10-241	D10K150	240	10	395	25.0	550	150	200	30.0	3500	0.40	20	26
MYG14-241	D14K150	240	10	395	50.0	1050	150	200	60.0	6000	0.60	21	27
MYG20-241	D20K150	240	10	395	100.0	2200	150	200	120.0	10000	1.00	22	27
MYG05-271	D05K175	270	10	475	5.0	100	175	225	8.0	800	0.10	18	25
MYG07-271	D07K175	270	10	455	10.0	220	175	225	17.0	1750	0.25	19	26
MYG10-271	D10K175	270	10	455	25.0	530	175	225	35.0	3500	0.40	20	26
MYG14-271	D14K175	270	10	455	50.0	1000	175	225	70.0	6000	0.60	21	27
MYG20-271	D20K175	270	10	455	100.0	2100	175	225	135.0	10000	1.00	22	27
MYG05-301	D05K195	300	10	505	5.0	100	195	250	8.8	800	0.10	18	25
MYG07-301	D07K195	300	10	500	10.0	190	195	250	18.5	1750	0.25	19	26
MYG10-301	D10K195	300	10	500	25.0	500	195	250	38.0	3500	0.40	20	26
MYG14-301	D14K195	300	10	500	50.0	900	195	250	78.0	6000	0.60	21	27
MYG20-301	D20K195	300	10	500	100.0	1800	195	250	148.0	10000	1.00	22	27
MYG05-331	D05K210	330	10	600	5.0	90	210	275	9.5	800	0.10	18	25
MYG07-331	D07K210	330	10	550	10.0	180	210	275	20.0	1750	0.25	19	26
MYG10-331	D10K210	330	10	550	25.0	450	210	275	42.0	3500	0.40	20	26
MYG14-331	D14K210	330	10	550	50.0	850	210	275	80.0	6000	0.60	21	27

V<sub>N</sub>\* means  $\varnothing$ 5mm are tested by constant current of 0.1mA  
 $\varnothing$  7~20mm are tested by constant current of 1.0mA



Type	Dimensions								Certification			
	D <sub>max</sub> (mm)	H <sub>2max</sub> (mm)	H <sub>3max</sub> (mm)	T <sub>max</sub> (mm)	W±1.0 (mm)	L <sub>min</sub> (mm)	l <sub>max</sub> (mm)	d±0.05 (mm)	CE	UL	VDE	SP
MYG10-101	14.0	16.0	17.5	4.8	7.5	25.0	3.0	0.8	★	★	★	★
MYG14-101	17.5	20.0	25.0	4.8	7.5	25.0	3.0	0.8	★	★	★	★
MYG20-101	25.0	25.0	29.0	5.2	10.0	25.0	3.0	1.0	★	★	★	★
MYG05-121	7.5	10.5	13.5	4.5	5.0	25.0	3.0	0.6	★	★		★
MYG07-121	9.0	12.0	13.5	4.5	5.0	25.0	3.0	0.6	★	★		★
MYG10-121	14.0	16.0	17.5	4.9	7.5	25.0	3.0	0.8	★	★	★	★
MYG14-121	17.5	20.0	25.0	4.9	7.5	25.0	3.0	0.8	★	★	★	★
MYG20-121	25.0	25.0	29.0	5.3	10.0	25.0	3.0	1.0	★	★		★
MYG05-151	7.5	10.5	13.5	4.5	5.0	25.0	3.0	0.6	★	★		★
MYG07-151	9.0	12.0	13.5	4.5	5.0	25.0	3.0	0.6	★	★		★
MYG10-151	14.0	16.0	17.5	4.9	7.5	25.0	3.0	0.8	★	★	★	★
MYG14-151	17.5	20.0	25.0	4.9	7.5	25.0	3.0	0.8	★	★	★	★
MYG20-151	25.0	25.0	29.0	5.3	10.0	25.0	3.0	1.0	★	★		★
MYG05-181	7.5	10.5	13.5	4.6	5.0	25.0	3.0	0.6	★	★		★
MYG07-181	9.0	12.0	13.5	4.6	5.0	25.0	3.0	0.6	★	★		★
MYG10-181	14.0	16.0	17.5	5.0	7.5	25.0	3.0	0.8	★	★	★	★
MYG14-181	17.5	20.0	25.0	5.0	7.5	25.0	3.0	0.8	★	★	★	★
MYG20-181	25.0	25.0	29.0	5.4	10.0	25.0	3.0	1.0	★	★		★
MYG05-201	7.5	10.5	13.5	4.7	5.0	25.0	3.0	0.6	★	★		★
MYG07-201	9.0	12.0	13.5	4.7	5.0	25.0	3.0	0.6	★	★		★
MYG10-201	14.0	16.0	17.5	5.1	7.5	25.0	3.0	0.8	★	★	★	★
MYG14-201	17.5	20.0	25.0	5.1	7.5	25.0	3.0	0.8	★	★	★	★
MYG20-201	25.0	25.0	29.0	5.5	10.0	25.0	3.0	1.0	★	★		★
MYG05-221	7.5	10.5	13.5	4.7	5.0	25.0	3.0	0.6	★	★		★
MYG07-221	9.0	12.0	13.5	4.7	5.0	25.0	3.0	0.6	★	★		★
MYG10-221	14.0	16.0	17.5	5.1	7.5	25.0	3.0	0.8	★	★	★	★
MYG14-221	17.5	20.0	25.0	5.1	7.5	25.0	3.0	0.8	★	★	★	★
MYG20-221	25.0	25.0	29.0	5.5	10.0	25.0	3.0	1.0	★	★		★
MYG05-241	7.5	10.5	13.5	4.7	5.0	25.0	3.0	0.6	★	★		★
MYG07-241	9.0	12.0	13.5	4.7	5.0	25.0	3.0	0.6	★	★		★
MYG10-241	14.0	16.0	17.5	5.1	7.5	25.0	3.0	0.8	★	★	★	★
MYG14-241	17.5	20.0	25.0	5.1	7.5	25.0	3.0	0.8	★	★	★	★
MYG20-241	25.0	25.0	29.0	5.5	10.0	25.0	3.0	1.0	★	★		★
MYG05-271	7.5	10.5	13.5	4.8	5.0	25.0	3.0	0.6	★	★		★
MYG07-271	9.0	12.0	13.5	4.8	5.0	25.0	3.0	0.6	★	★		★
MYG10-271	14.0	16.0	17.5	5.2	7.5	25.0	3.0	0.8	★	★	★	★
MYG14-271	17.5	20.0	25.0	5.2	7.5	25.0	3.0	0.8	★	★	★	★
MYG20-271	25.0	25.0	29.0	5.6	10.0	25.0	3.0	1.0	★	★		★
MYG05-301	7.5	10.5	13.5	4.8	5.0	25.0	3.0	0.6	★	★		★
MYG07-301	9.0	12.0	13.5	4.8	5.0	25.0	3.0	0.6	★	★		★
MYG10-301	14.0	16.0	17.5	5.2	7.5	25.0	3.0	0.8	★	★	★	★
MYG14-301	17.5	20.0	25.0	5.2	7.5	25.0	3.0	0.8	★	★	★	★
MYG20-301	25.0	25.0	29.0	5.6	10.0	25.0	3.0	1.0	★	★		★
MYG05-331	7.5	10.5	13.5	4.9	5.0	25.0	3.0	0.6	★	★		★
MYG07-331	9.0	12.0	13.5	4.9	5.0	25.0	3.0	0.6	★	★		★
MYG10-331	14.0	16.0	17.5	5.3	7.5	25.0	3.0	0.8	★	★	★	★
MYG14-331	17.5	20.0	25.0	5.3	7.5	25.0	3.0	0.8	★	★	★	★



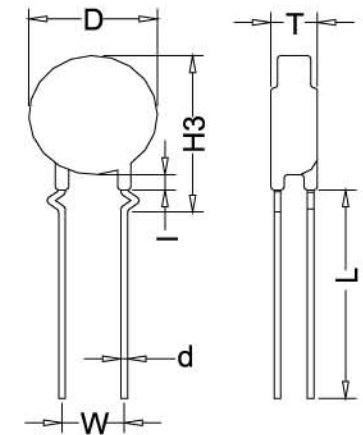
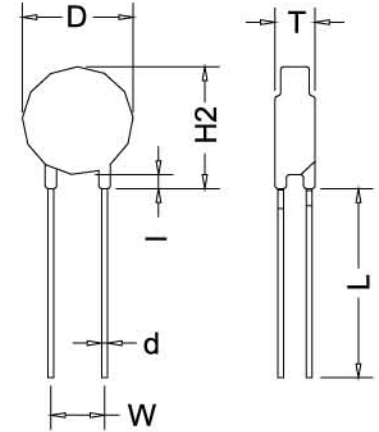
★ Means it has accerded safety certification  
 ○ Means the safety certification is in process, Details please contact with our marketing department.

Type	Material code	Characteristics TA = +25 °C					Maximum ratings T =+85 C					V/I Characteristic curve	Derating curve
		Varistor voltage	Tolerance	Clamping voltage at I <sub>p</sub> (8/20 μs)		Capacitance (1kHz)	Max continuous operating voltage		Max energy absorption (2ms)	Peak current (8/20 μs)	Max power rating		
		V <sub>N</sub> * (V)	ΔV <sub>N</sub> (±%)	V <sub>P</sub> (V)	I <sub>p</sub> (A)	C (pF)	V <sub>RMS</sub> (V)	V <sub>Dc</sub> (V)	W <sub>max</sub> (J)	I <sub>max</sub> (A)	P <sub>max</sub> (W)	Page	Page
MYG20-331	D20K210	330	10	550	100.0	1750	210	275	160.0	10000	1.00	22	27
MYG05-361	D05K230	360	10	620	5.0	80	230	300	11.0	800	0.10	18	25
MYG07-361	D07K230	360	10	595	10.0	170	230	300	23.0	1750	0.25	19	26
MYG10-361	D10K230	360	10	595	25.0	450	230	300	45.0	3500	0.40	20	26
MYG14-361	D14K230	360	10	595	50.0	850	230	300	90.0	6000	0.60	21	27
MYG20-361	D20K230	360	10	595	100.0	1700	230	300	180.0	10000	1.00	22	27
MYG05-391	D05K250	390	10	675	5.0	80	250	320	12.0	800	0.10	18	25
MYG07-391	D07K250	390	10	650	10.0	160	250	320	25.0	1750	0.25	19	26
MYG10-391	D10K250	390	10	650	25.0	430	250	320	50.0	3500	0.40	20	26
MYG14-391	D14K250	390	10	650	50.0	800	250	320	100.0	6000	0.60	21	27
MYG20-391	D20K250	390	10	650	100.0	1400	250	320	195.0	10000	1.00	22	27
MYG05-431	D05K275	430	10	745	5.0	70	275	350	13.5	800	0.10	18	25
MYG07-431	D07K275	430	10	710	10.0	150	275	350	27.5	1750	0.25	19	26
MYG10-431	D10K275	430	10	710	25.0	400	275	350	55.0	3500	0.40	20	26
MYG14-431	D14K275	430	10	710	50.0	650	275	350	110.0	6000	0.60	21	27
MYG20-431	D20K275	430	10	710	100.0	1350	275	350	215.0	10000	1.00	22	27
MYG05-471	D05K300	470	10	810	5.0	70	300	385	15.0	800	0.10	18	25
MYG07-471	D07K300	470	10	775	10.0	130	300	385	30.0	1750	0.25	19	26
MYG10-471	D10K300	470	10	775	25.0	300	300	385	60.0	3500	0.40	20	26
MYG14-471	D14K300	470	10	775	50.0	550	300	385	125.0	6000	0.60	21	27
MYG20-471	D20K300	470	10	775	100.0	1200	300	385	250.0	10000	1.00	22	27
MYG05-511	D05K320	510	10	845	5.0	60	320	410	11.0	400	0.10	18	28
MYG07-511	D07K320	510	10	845	10.0	120	320	410	32.0	1750	0.25	19	26
MYG10-511	D10K320	510	10	845	25.0	260	320	410	67.0	3500	0.40	20	26
MYG14-511	D14K320	510	10	845	50.0	450	320	410	136.0	6000	0.60	21	27
MYG20-511	D20K320	510	10	845	100.0	1050	320	410	273.0	10000	1.00	22	27
MYG05-561	D05K350	560	10	915	5.0	50	350	460	12.0	400	0.10	18	28
MYG07-561	D07K350	560	10	915	10.0	120	350	460	32.0	1750	0.25	19	26
MYG10-561	D10K350	560	10	915	25.0	200	350	460	67.0	3500	0.40	20	26
MYG14-561	D14K350	560	10	915	50.0	400	350	460	136.0	6000	0.60	21	27
MYG20-561	D20K350	560	10	915	100.0	850	350	460	273.0	10000	1.00	22	27
MYG05-621	D05K385	620	10	1025	5.0	40	385	505	13.0	400	0.10	18	28
MYG07-621	D07K385	620	10	1025	10.0	120	385	505	32.0	1750	0.25	19	26
MYG10-621	D10K385	620	10	1025	25.0	170	385	505	67.0	3500	0.40	20	26
MYG14-621	D14K385	620	10	1025	50.0	350	385	505	136.0	6000	0.60	21	27
MYG20-621	D20K385	620	10	1025	100.0	570	385	505	273.0	10000	1.00	22	27
MYG05-681	D05K420	680	10	1120	5.0	35	420	560	14.0	400	0.10	18	28
MYG07-681	D07K420	680	10	1120	10.0	120	420	560	32.0	1750	0.25	19	26
MYG10-681	D10K420	680	10	1120	25.0	160	420	560	67.0	3500	0.40	20	26
MYG14-681	D14K420	680	10	1120	50.0	350	420	560	136.0	6000	0.60	21	27
MYG20-681	D20K420	680	10	1120	100.0	550	420	560	273.0	10000	1.00	22	27
MYG05-751	D05K460	750	10	1240	5.0	30	460	615	18.0	400	0.10	18	28
MYG07-751	D07K460	750	10	1240	10.0	120	460	615	32.0	1750	0.25	19	26
MYG10-751	D10K460	750	10	1240	25.0	150	460	615	70.0	3500	0.40	20	26
MYG14-751	D14K460	750	10	1240	50.0	330	460	615	150.0	6000	0.60	21	27
MYG20-751	D20K460	750	10	1240	100.0	530	460	615	300.0	10000	1.00	22	27
MYG10-781	D10K485	780	10	1290	25.0	150	485	640	75.0	3500	0.40	18	26

V<sub>N</sub>\* means ∅ 5mm are tested by constant current of 0.1mA  
 ∅ 7~20mm are tested by constant current of 1.0mA



Type	Dimensions								Certification			
	D <sub>max</sub> (mm)	H <sub>2max</sub> (mm)	H <sub>3max</sub> (mm)	T <sub>max</sub> (mm)	W±1.0 (mm)	L <sub>min</sub> (mm)	l <sub>max</sub> (mm)	d±0.05 (mm)	CE	UL	VDE	SP
MYG20-331	25.0	25.0	29.0	5.7	10.0	25.0	3.0	1.0	★	★		★
MYG05-361	7.5	10.5	13.5	4.9	5.0	25.0	3.0	0.6	★	★		★
MYG07-361	9.0	12.0	13.5	4.9	5.0	25.0	3.0	0.6	★	★		★
MYG10-361	14.0	16.0	17.5	5.3	7.5	25.0	3.0	0.8	★	★	★	★
MYG14-361	17.5	20.0	25.0	5.3	7.5	25.0	3.0	0.8	★	★	★	★
MYG20-361	25.0	25.0	29.0	5.7	10.0	25.0	3.0	1.0	★	★		★
MYG05-391	7.5	10.5	13.5	5.1	5.0	25.0	3.0	0.6	★	★		★
MYG07-391	9.0	12.0	13.5	5.1	5.0	25.0	3.0	0.6	★	★		★
MYG10-391	14.0	16.0	17.5	5.5	7.5	25.0	3.0	0.8	★	★	★	★
MYG14-391	17.5	20.0	25.0	5.5	7.5	25.0	3.0	0.8	★	★	★	★
MYG20-391	25.0	25.0	29.0	5.9	10.0	25.0	3.0	1.0	★	★		★
MYG05-431	7.5	10.5	13.5	5.3	5.0	25.0	3.0	0.6	★	★		★
MYG07-431	9.0	12.0	13.5	5.3	5.0	25.0	3.0	0.6	★	★		★
MYG10-431	14.0	16.0	17.5	5.7	7.5	25.0	3.0	0.8	★	★	★	★
MYG14-431	17.5	20.0	25.0	5.7	7.5	25.0	3.0	0.8	★	★	★	★
MYG20-431	25.0	25.0	29.0	6.1	10.0	25.0	3.0	1.0	★	★		★
MYG05-471	7.5	10.5	13.5	5.5	5.0	25.0	3.0	0.6	★	★		★
MYG07-471	9.0	12.0	13.5	5.5	5.0	25.0	3.0	0.6	★	★		★
MYG10-471	14.0	16.0	17.5	5.9	7.5	25.0	3.0	0.8	★	★	★	★
MYG14-471	17.5	20.0	25.0	5.9	7.5	25.0	3.0	0.8	★	★	★	★
MYG20-471	25.0	25.0	29.0	6.3	10.0	25.0	3.0	1.0	★	★		★
MYG05-511	7.5	10.5	13.5	5.1	5.0	25.0	3.0	0.6	★			★
MYG07-511	9.0	12.0	13.5	5.7	5.0	25.0	3.0	0.6	★	★		★
MYG10-511	14.0	16.0	17.5	6.1	7.5	25.0	3.0	0.8	★	★	★	★
MYG14-511	17.5	20.0	25.0	6.1	7.5	25.0	3.0	0.8	★	★	★	★
MYG20-511	25.0	25.0	29.0	6.5	10.0	25.0	3.0	1.0	★	★		★
MYG05-561	7.5	10.5	13.5	5.1	5.0	25.0	3.0	0.6	★			★
MYG07-561	9.0	12.0	13.5	6.0	5.0	25.0	3.0	0.6	★	★		★
MYG10-561	14.0	16.0	17.5	6.4	7.5	25.0	3.0	0.8	★	★	★	★
MYG14-561	17.5	20.0	25.0	6.4	7.5	25.0	3.0	0.8	★	★	★	★
MYG20-561	25.0	25.0	29.0	6.8	10.0	25.0	3.0	1.0	★	★		★
MYG05-621	7.5	10.5	13.5	5.1	5.0	25.0	3.0	0.6	★			★
MYG07-621	9.0	12.0	13.5	6.3	5.0	25.0	3.0	0.6	★	★		★
MYG10-621	14.0	16.0	17.5	6.7	7.5	25.0	3.0	0.8	★	★	★	★
MYG14-621	17.5	20.0	25.0	6.7	7.5	25.0	3.0	0.8	★	★	★	★
MYG20-621	25.0	25.0	29.0	7.1	10.0	25.0	3.0	1.0	★	★		★
MYG05-681	7.5	10.5	13.5	5.4	5.0	25.0	3.0	0.6	★			★
MYG07-681	9.0	12.0	13.5	6.6	5.0	25.0	3.0	0.6	★			★
MYG10-681	14.0	16.0	17.5	7.0	7.5	25.0	3.0	0.8	★	★	★	★
MYG14-681	17.5	20.0	25.0	7.0	7.5	25.0	3.0	0.8	★	★	★	★
MYG20-681	25.0	25.0	29.0	7.4	10.0	25.0	3.0	1.0	★	★		★
MYG05-751	7.5	10.5	13.5	5.7	5.0	25.0	3.0	0.6	★			★
MYG07-751	9.0	12.0	13.5	7.0	5.0	25.0	3.0	0.6	★			★
MYG10-751	14.0	16.0	17.5	7.4	7.5	25.0	3.0	0.8	★	★	★	★
MYG14-751	17.5	20.0	25.0	7.4	7.5	25.0	3.0	0.8	★	★	★	★
MYG20-751	25.0	25.0	29.0	7.8	10.0	25.0	3.0	1.0	★	★		★
MYG10-781	14.0	16.0	17.5	7.4	7.5	25.0	3.0	0.8	★		★	★



★ Means it has accredited safety certification

○ Means the safety certification is in process, Details please contact with our marketing department.

Type	Material code	Characteristics TA = +25 °C					Maximum ratings T =+85 C					V/I Characteristic curve	Derating curve
		Varistor voltage	Tolerance	Clamping voltage at Ip (8/20µs)		Capacitance (1kHz)	Max continuous operating voltage		Max energy absorption (2ms)	Peak current (8/20µs)	Max power rating		
				VN* (V)	ΔVN (±%)		VP (V)	IP (A)				C (pF)	VRMS (V)
MYG14-781	D14K485	780	10	1290	50.0	330	485	640	160.0	6000	0.60	21	27
MYG20-781	D20K485	780	10	1290	100.0	530	485	640	315.0	10000	1.00	22	27
MYG10-821	D10K510	820	10	1355	25.0	150	510	670	80.0	3500	0.40	20	26
MYG14-821	D14K510	820	10	1355	50.0	330	510	670	165.0	6000	0.60	21	27
MYG20-821	D20K510	820	10	1355	100.0	530	510	670	325.0	10000	1.00	22	27
MYG10-911	D10K550	910	10	1500	25.0	140	550	745	90.0	3500	0.40	20	26
MYG14-911	D14K550	910	10	1500	50.0	300	550	745	180.0	6000	0.60	21	27
MYG20-911	D20K550	910	10	1500	100.0	480	550	745	360.0	10000	1.00	22	27
MYG10-102	D10K625	1000	10	1650	25.0	140	625	825	100.0	3500	0.40	20	26
MYG14-102	D14K625	1000	10	1650	50.0	300	625	825	200.0	5000	0.60	21	28
MYG20-102	D20K625	1000	10	1650	100.0	480	625	825	400.0	7500	1.00	22	29
MYG10-112	D10K680	1100	10	1815	25.0	130	680	895	110.0	3500	0.40	20	26
MYG14-112	D14K680	1100	10	1815	50.0	200	680	895	220.0	5000	0.60	21	28
MYG20-112	D20K680	1100	10	1815	100.0	400	680	895	440.0	7500	1.00	22	29
MYG14-182	D14K1000	1800	10	2970	50.0	150	1000	1465	360.0	5000	0.60	21	28
MYG20-182	D20K1000	1800	10	2970	100.0	250	1000	1465	720.0	7500	1.00	22	29

VN\* means  $\varnothing 5\text{mm}$  are tested by constant current of 0.1mA  
 $\varnothing 7\text{--}20\text{mm}$  are tested by constant current of 1.0mA

Type	Dimensions								Certification				
	Dmax (mm)	H2max (mm)	H3max (mm)	Tmax (mm)	W±1.0 (mm)	Lmin (mm)	Imax (mm)	d±0.05 (mm)	CE	UL	VDE	SP	
MYG14-781	17.5	20.0	25.0	7.4	7.5	25.0	3.0	0.8	★		★	★	
MYG20-781	25.0	25.0	29.0	7.8	10.0	25.0	3.0	1.0	★			★	
MYG10-821	14.0	16.0	17.5	7.8	7.5	25.0	3.0	0.8	★	★	★	★	
MYG14-821	17.5	20.0	25.0	7.8	7.5	25.0	3.0	0.8	★	★	★	★	
MYG20-821	25.0	25.0	29.0	8.2	10.0	25.0	3.0	1.0	★	★		★	
MYG10-911	14.0	16.0	17.5	8.2	7.5	25.0	3.0	0.8	★	★	★	★	
MYG14-911	17.5	20.0	25.0	8.2	7.5	25.0	3.0	0.8	★	★	★	★	
MYG20-911	25.0	25.0	29.0	8.6	10.0	25.0	3.0	1.0	★	★		★	
MYG10-102	14.0	16.0	17.5	8.7	7.5	25.0	3.0	0.8	★	★	★	★	
MYG14-102	17.5	20.0	25.0	8.7	7.5	25.0	3.0	0.8	★	★	★	★	
MYG20-102	25.0	25.0	29.0	9.1	10.0	25.0	3.0	1.0	★	★		★	
MYG10-112	14.0	16.0	17.5	9.2	7.5	25.0	3.0	0.8	★	★	★	★	
MYG14-112	17.5	20.0	25.0	9.2	7.5	25.0	3.0	0.8	★	★	★	★	
MYG20-112	25.0	25.0	29.0	9.6	10.0	25.0	3.0	1.0	★	★		★	
MYG14-182	17.5	20.0	25.0	13.9	7.5	25.0	3.0	0.8	★	★	★	★	
MYG20-182	25.0	25.0	29.0	14.3	10.0	25.0	3.0	1.0	★	★		★	

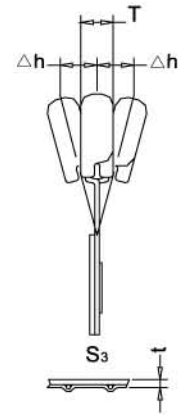
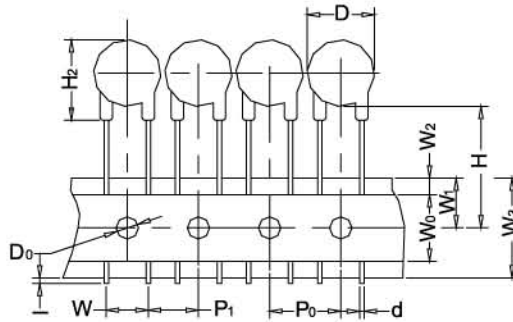
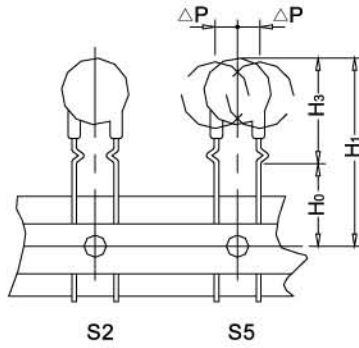
★ Means it has accredited safety certification

○ Means the safety certification is in process, Details please contact with our marketing department.

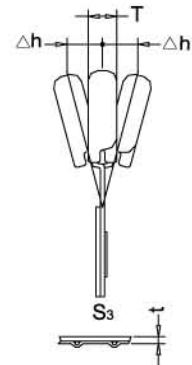
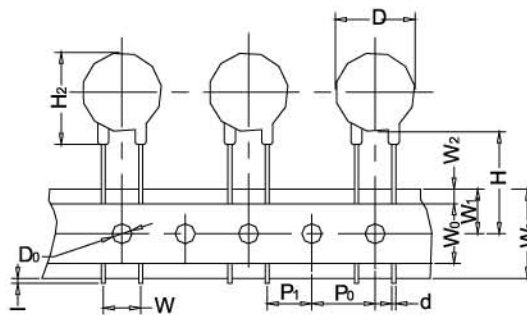
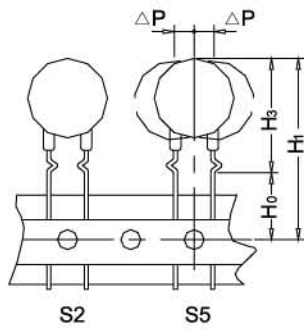


**Taping Drawings**

**D10 Taping Drawings (Reel)**

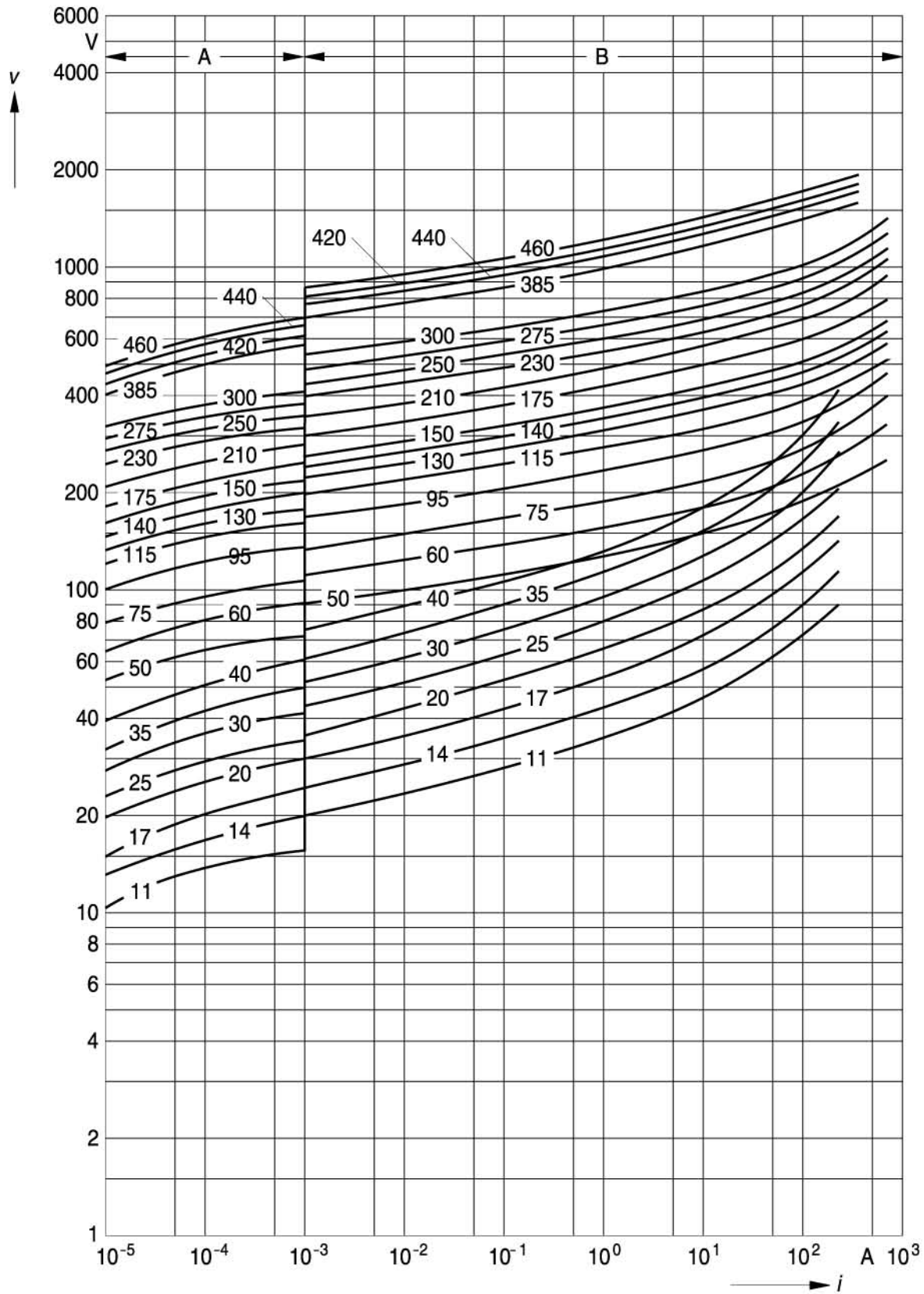


**D14 Taping Drawings (Reel and Ammopack)**



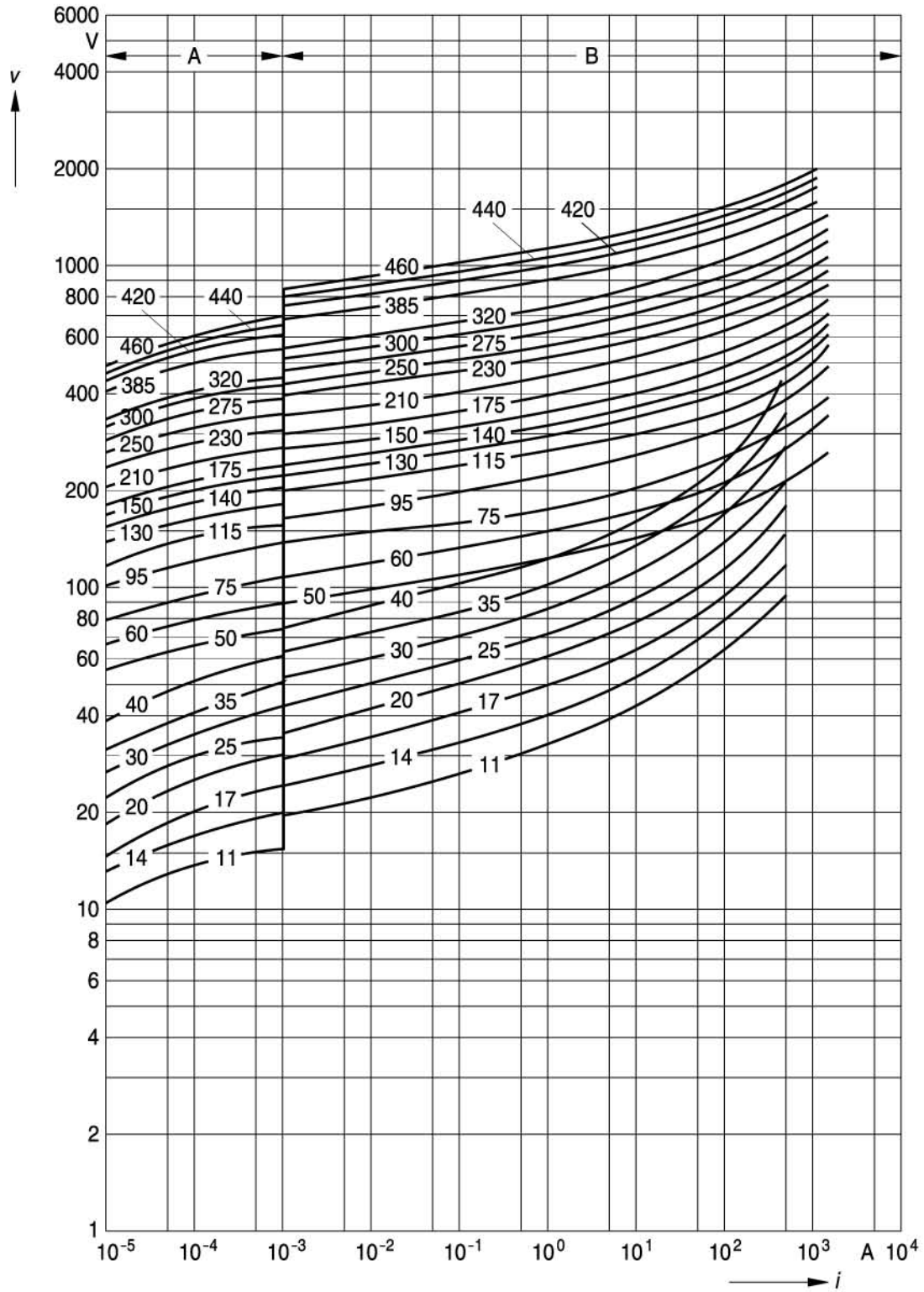
Item	W=5.0	Tolerance	W=5.0	Tolerance	W=7.5	Tolerance	W=7.5	Tolerance	W=10.0	Tolerance
Type	D05		D07		D10		D14		D20	
P <sub>0</sub>	12.7	± 0.3	12.7	± 0.3	12.7	± 0.3	12.7	± 0.3	12.7	± 0.3
P <sub>1</sub>	3.85	± 0.8	3.85	± 0.8	8.95	± 0.8	8.95	± 0.8	7.7	± 0.8
Δ h	0	± 2.0	0	± 2.0	Accord T to confirm					
Δ p	0	± 1.3	0	± 1.3	0	± 2.0	0	± 2.0	0	± 2.0
W <sub>3</sub>	18	± 0.5	18	± 0.5	18	± 0.5	18	± 0.5	18	± 0.5
W <sub>0</sub>	11	min	11	min	11	min	11	min	11	min
W <sub>1</sub>	9	± 0.7	9	± 0.7	9	± 0.7	9	± 0.7	9	± 0.7
W <sub>2</sub>	3	max	3	max	3	max	3	max	3	max
H	18	+2/-0	18	+2/-0	18	+2/-0	18	+2/-0	18	+2/-0
H <sub>0</sub>	16	± 0.8	16	± 0.8	16	± 0.8	16	± 0.8	16	± 0.8
H <sub>1</sub>	32.2	max	32.2	max	45	max	45	max	45	max
H <sub>3</sub>	13.5	max	13.5	max	17.5	max	25	max	29	max
D <sub>0</sub>	4.0	± 0.2	4.0	± 0.2	4.0	± 0.2	4.0	± 0.2	4.0	± 0.2
t	0.9	max	0.9	max	0.9	max	0.9	max	0.9	max
1	1.0	max	1.0	max	1.0	max	1.0	max	1.0	max

## D05K11~D05K460 V/I Characteristics Curve

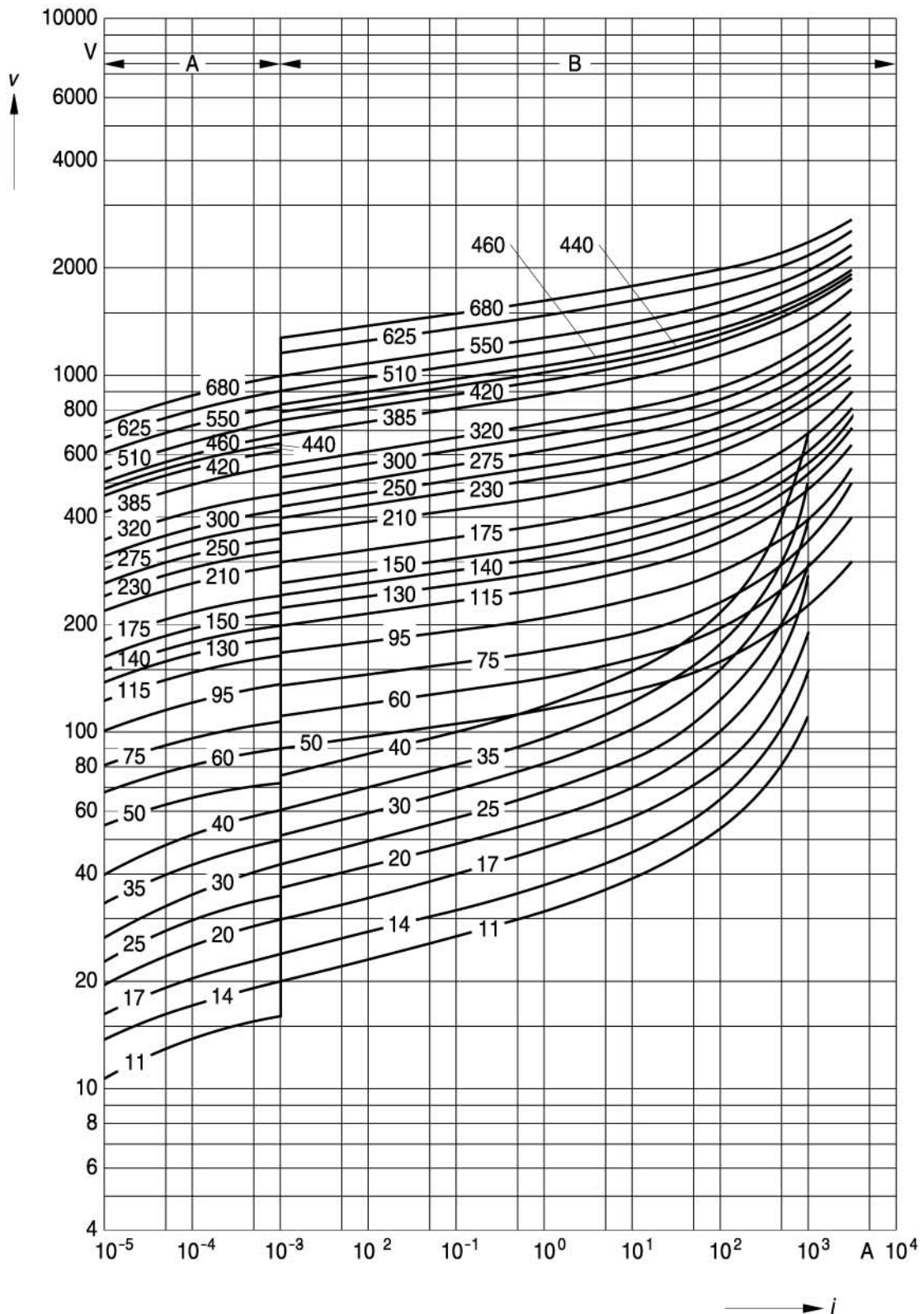




## D07K11~D07K460 V/I Characteristics Curve

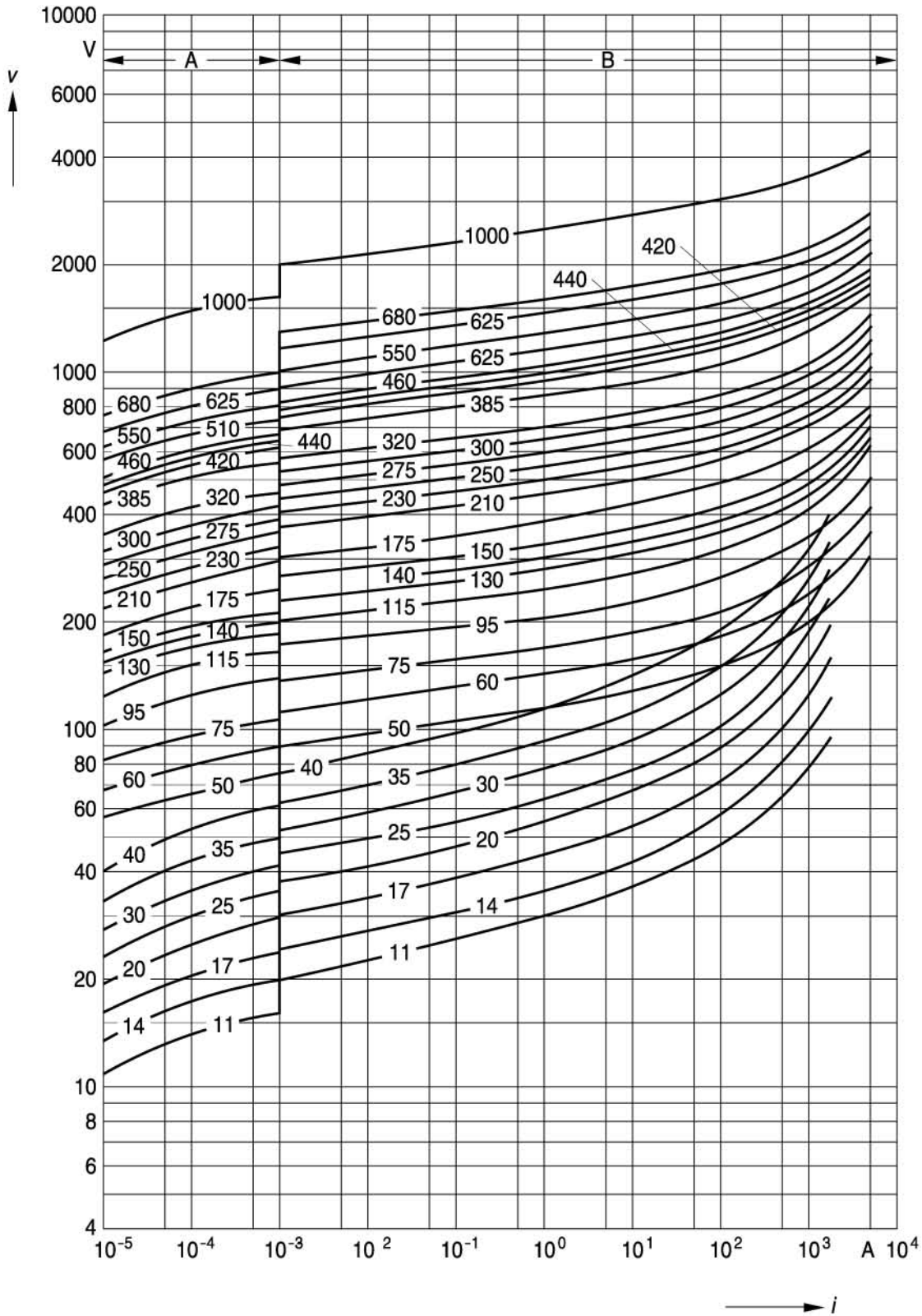


## D10K11~D10K680 V/I Characteristics Curve:

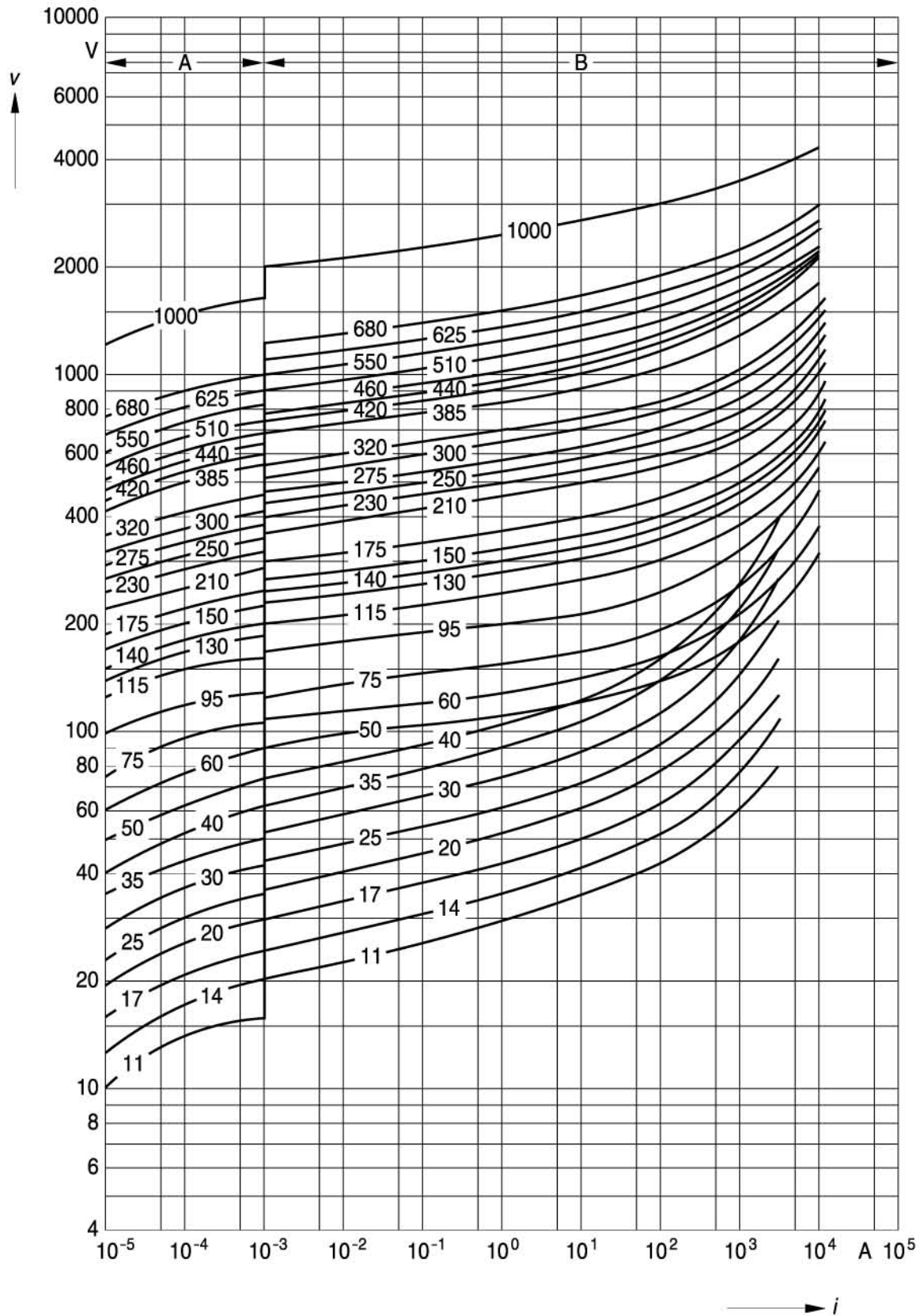




## D14K11~D14K1000 V/I Characteristics Curve

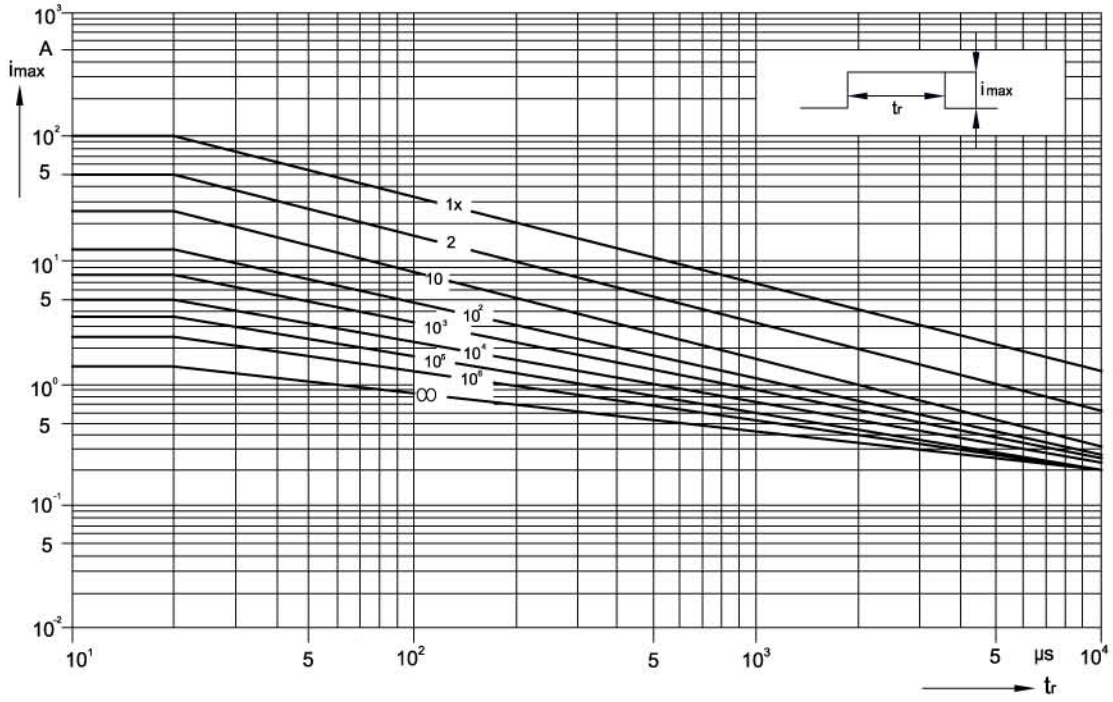


## D20K11~D20K1000 V/I Characteristics Curve

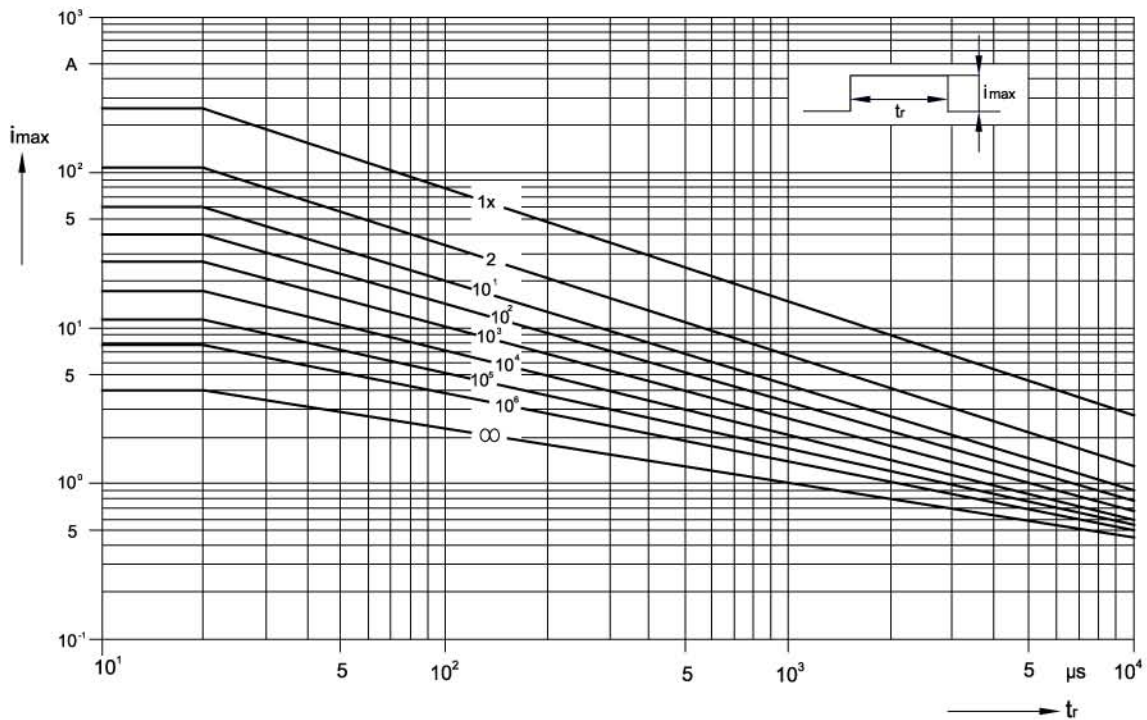




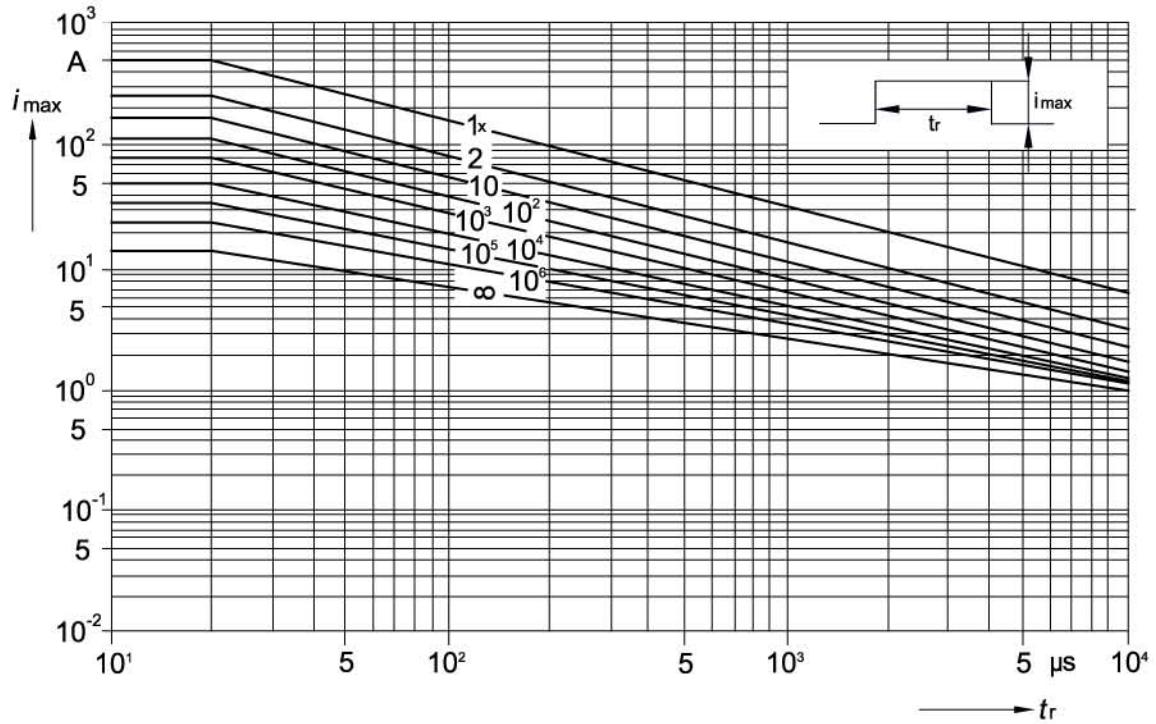
### D05K11~D05K40 Derating Curve



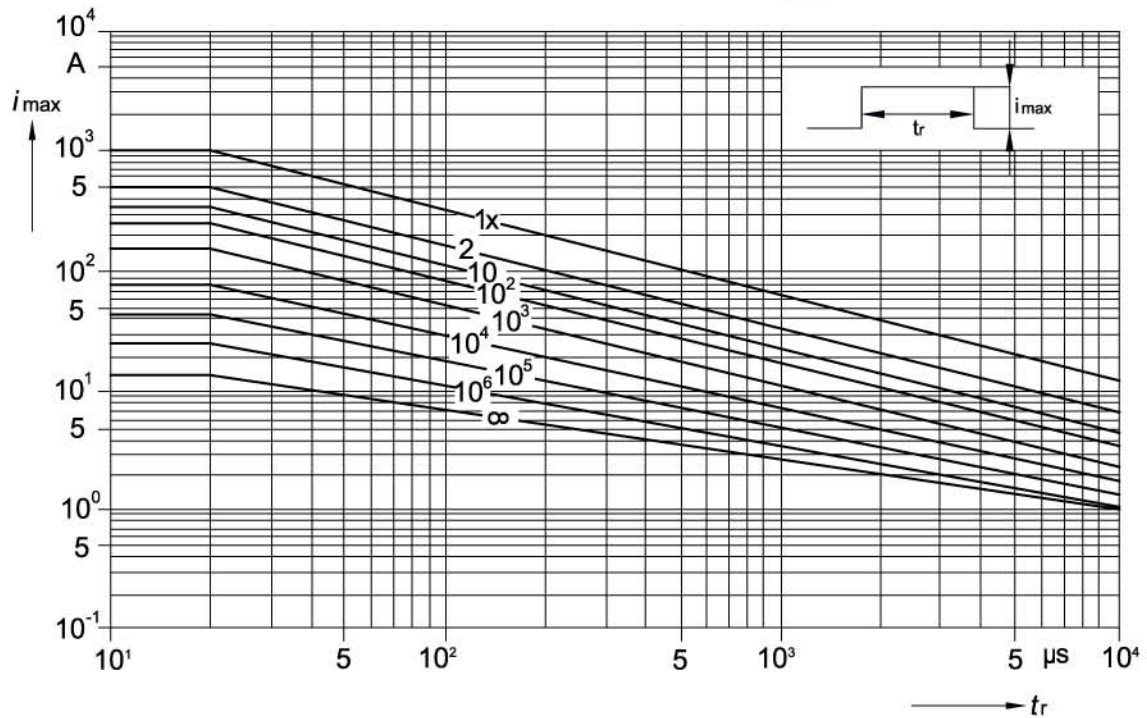
### D07K11~D07K40 Derating Curve



### D10K11~D10K40 Derating Curve

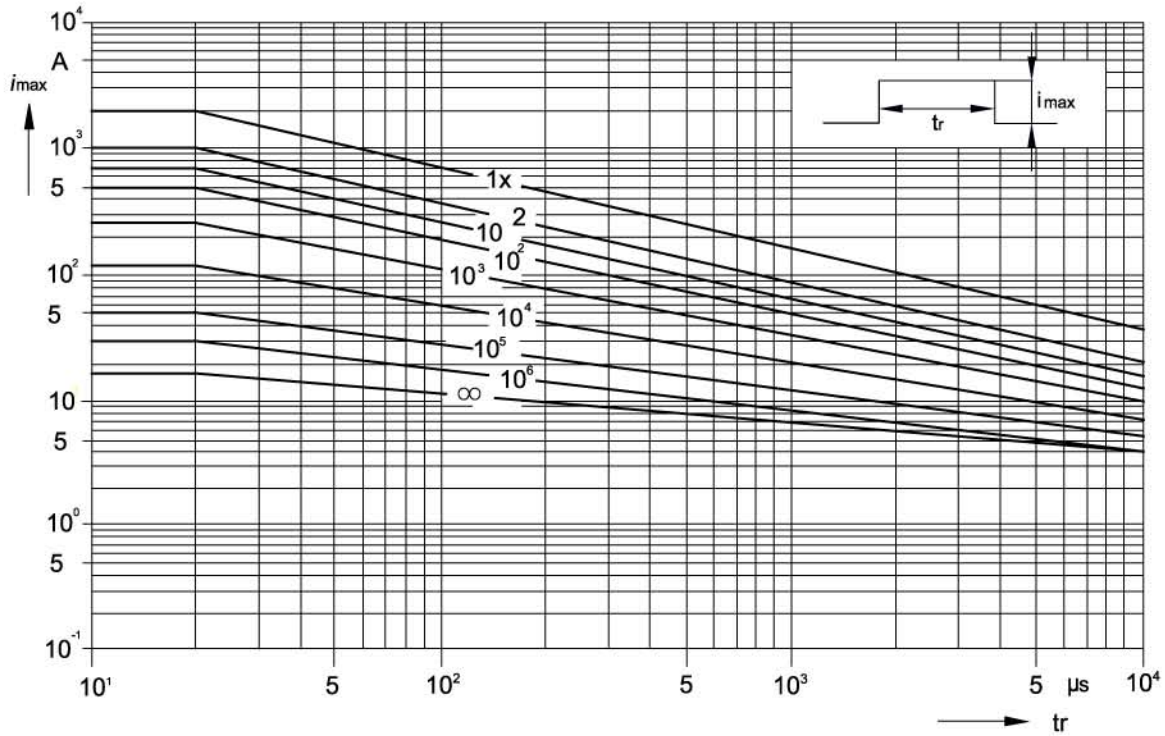


### D14K11~D14K40 Derating Curve

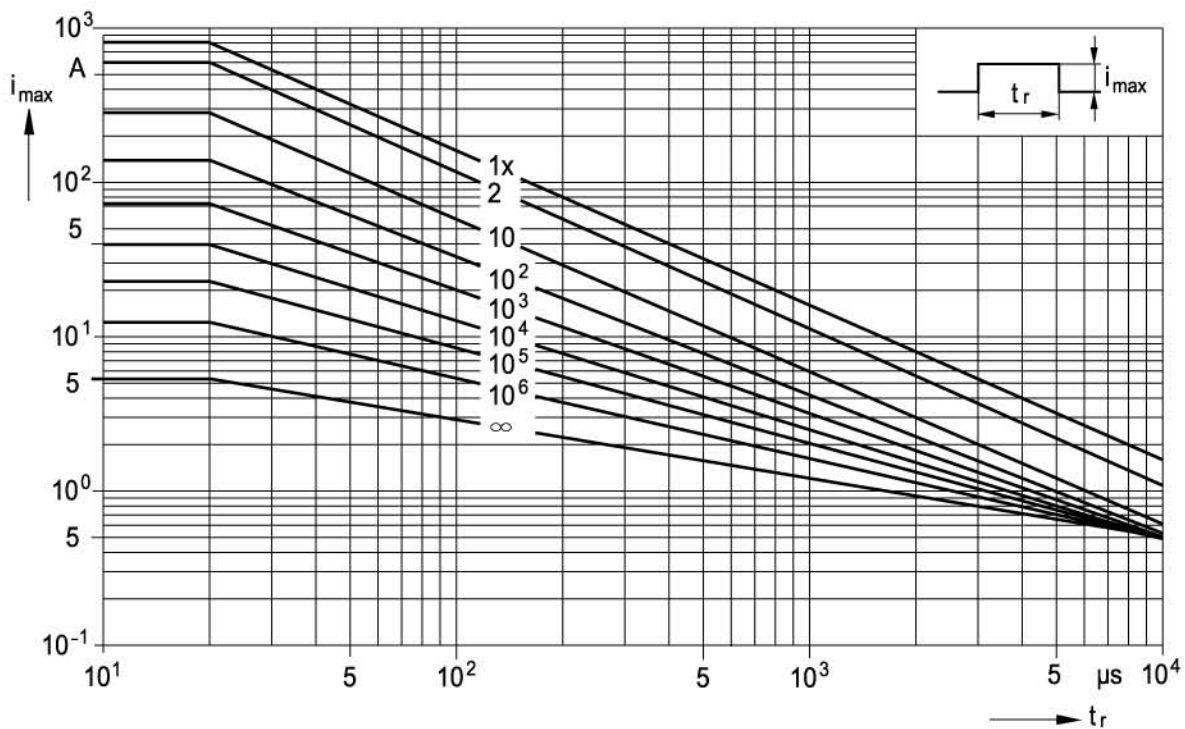




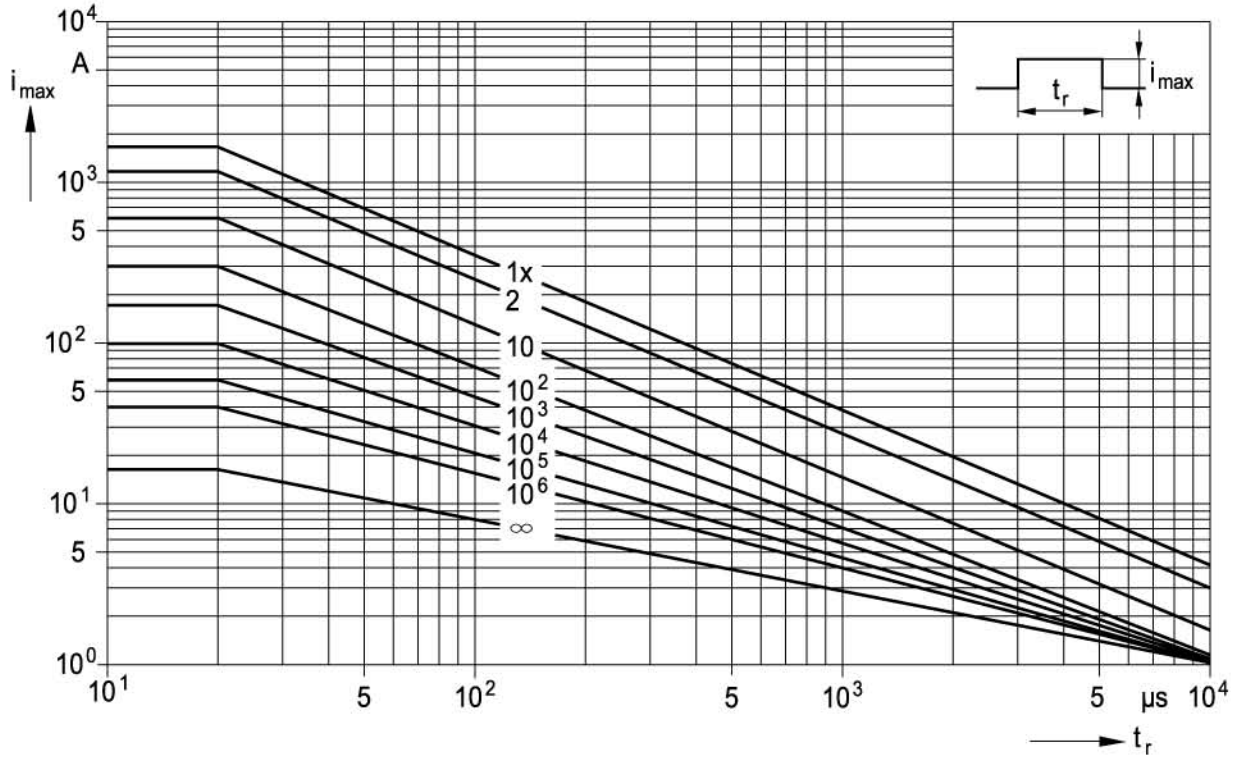
## D20K11~D20K40 Derating Curve



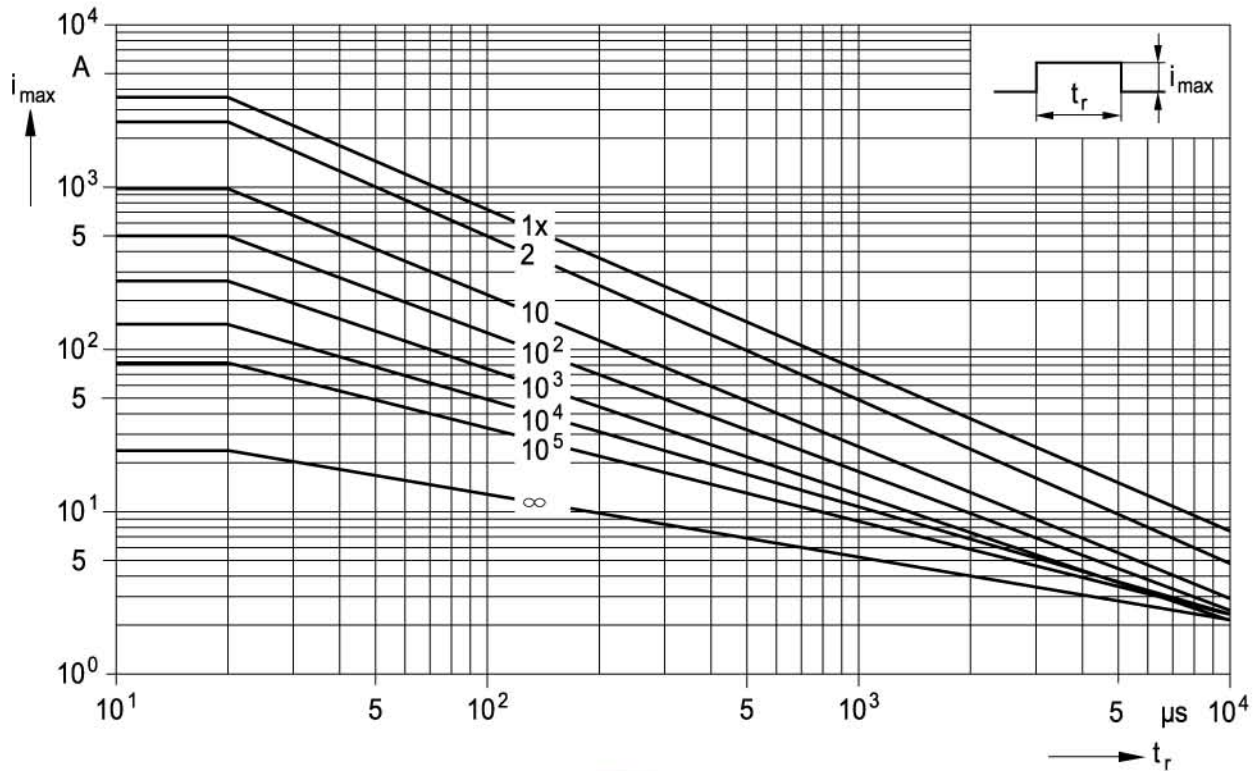
## D05K50~D05K300 Derating Curve



## D07K50~D07K460 Derating Curve

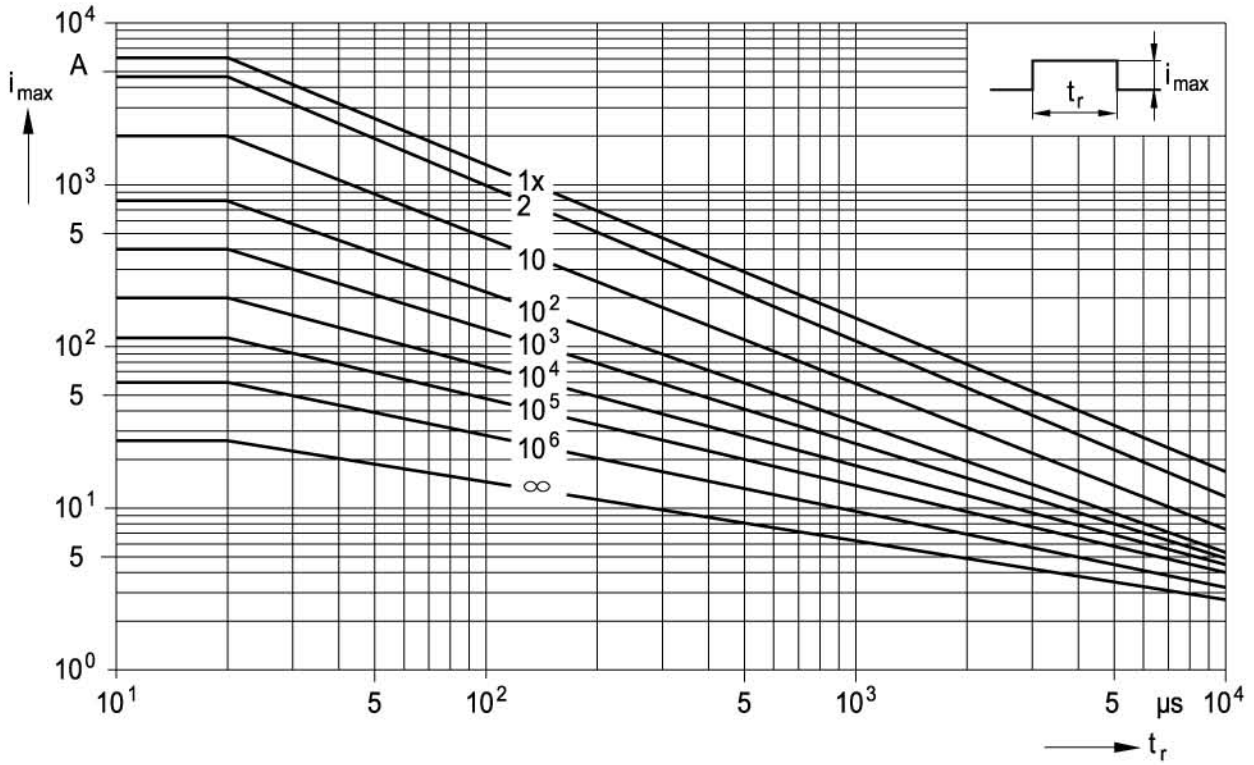


## D10K50~D10K680 Derating Curve

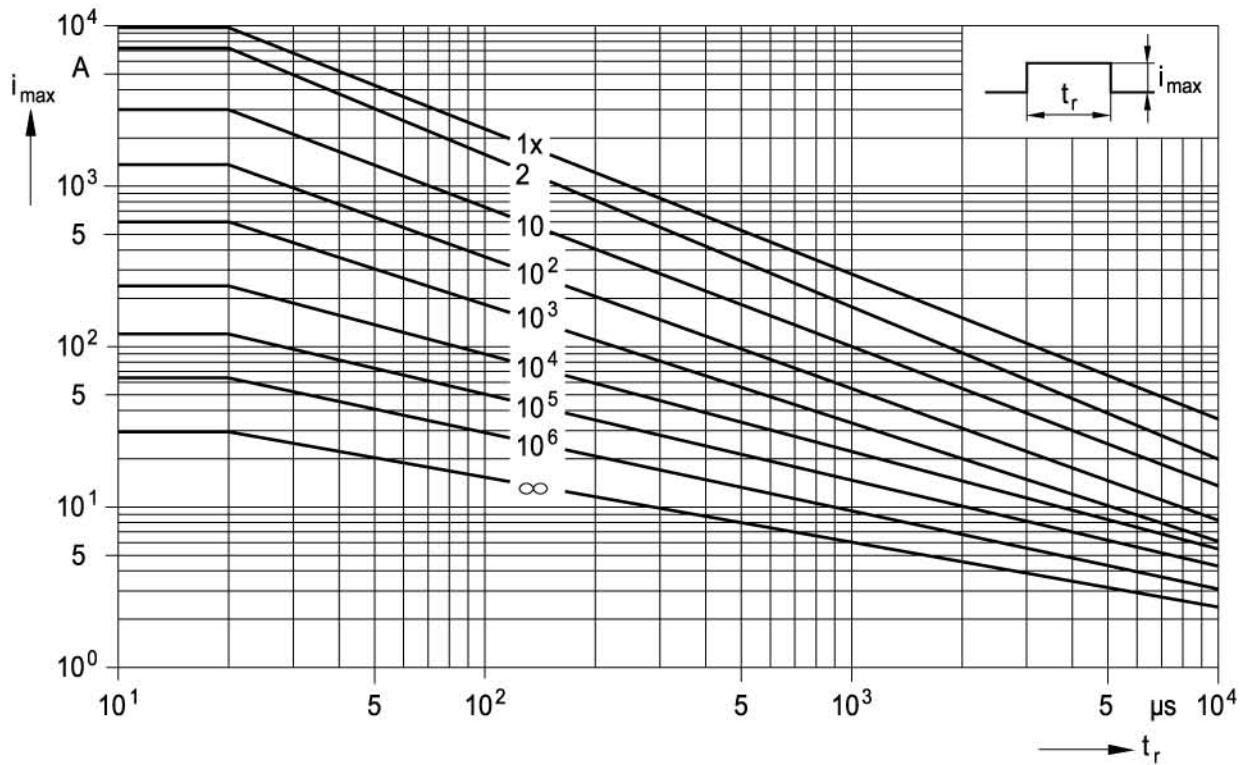




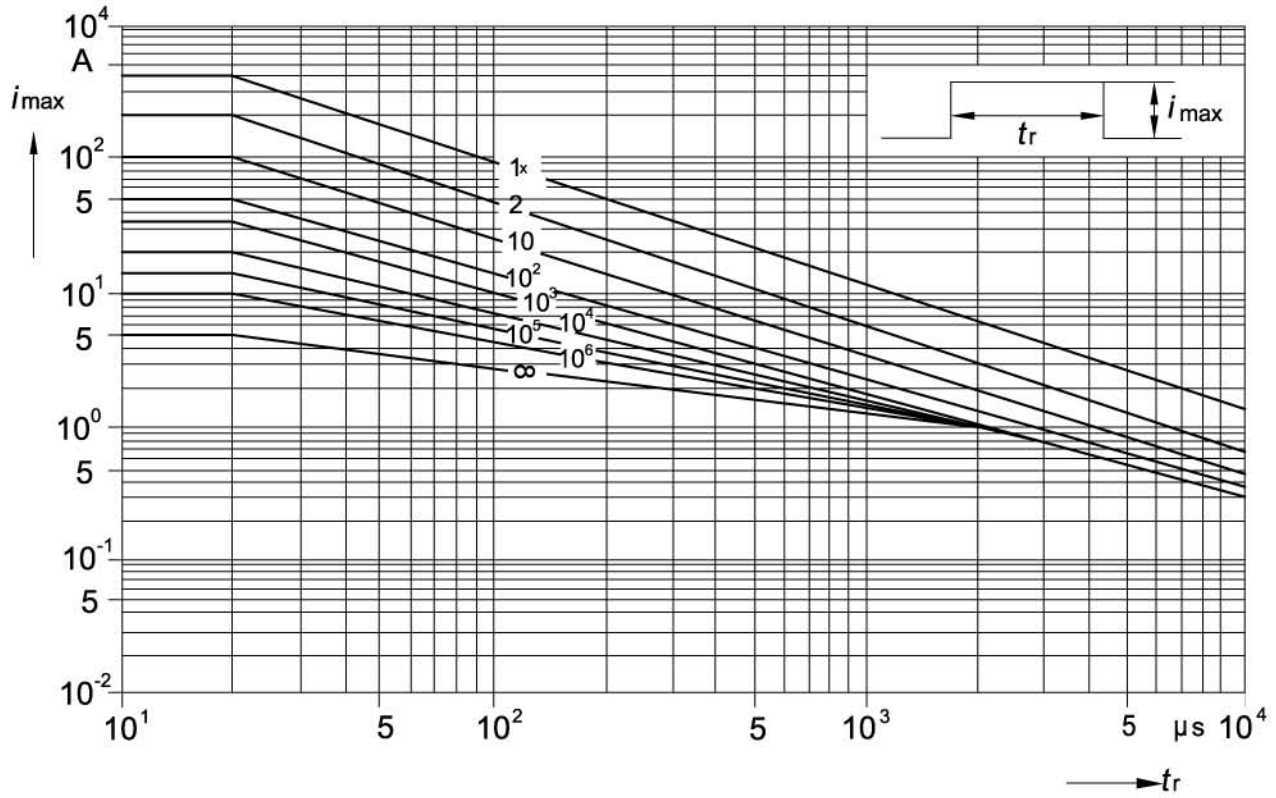
### D14K50~D14K550 Derating Curve



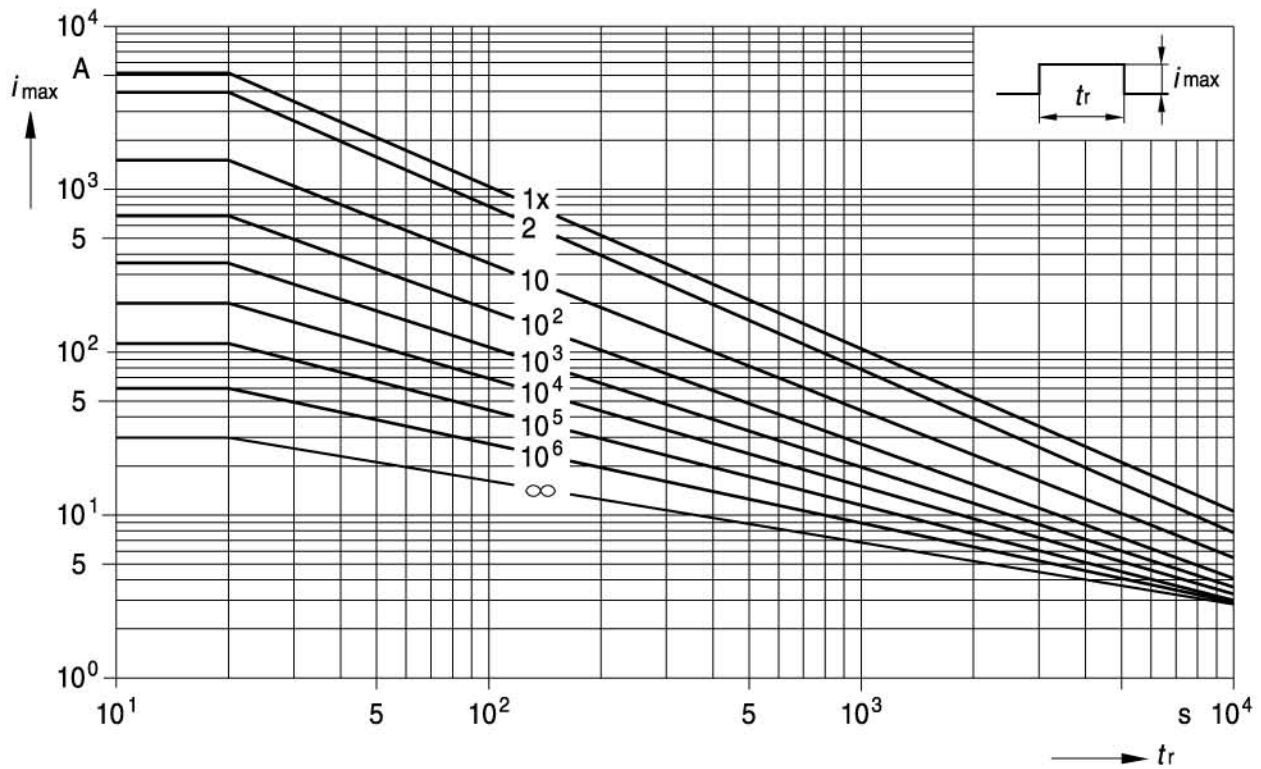
### D20K50~D20K550 Derating Curve



### D05K320~D05K460 Derating Curve



### D14K625~D14K1000 Derating Curve





## D20K625~D20K1000 Derating Curve

